

# CLARKE®



**LED WORKLIGHT(110V)**

**MODEL NO: SMD5000/1**

PART NO: 4003546

## ASSEMBLY & USER INSTRUCTIONS

UK  
CA | CE



ORIGINAL INSTRUCTIONS

GC0225

---

## INTRODUCTION

---

Thank you for purchasing this CLARKE portable LED worklight which can be used either indoors or outdoors. Before attempting to use this product, please read this manual thoroughly and follow the instructions carefully. In doing so you will ensure the safety of yourself and that of others around you, and you can look forward to your purchase giving you long and satisfactory service.

---

## TECHNICAL INFORMATION

---

<b>Model</b>	<b>SMD5000/1</b>
Dimensions (W x D x H)	670 x 520 x 1136 mm (opened)
Weight	3.65 kg
Tilt adjustment	135 degrees
Light Source	SMD 2835 LED array
Operating Temperature	-0°C to + 35°C
Output power	50 W
Light Output (luminous flux)	5000 @ 1m (lumens)
Fuse Rating	16 A
Power Supply	110V 50 Hz
Insulation Class	Class I
IP Rating	IP54
Energy Efficiency Class	D
Efficacy	172 Lm/W
Colour Temperature	6000 K
Weighted Energy Consumption	8 kWh/1000h
Life expectancy of LED	25,000 hours

---

## **SAFETY PRECAUTIONS**

---

1. This worklight must **NOT** be immersed in water.
2. **DO NOT** look directly into the lamp when switched on as this can damage the eyes.
3. If used with an extension cable always ensure that the extension cable is fully unwound.
4. **DO NOT** use this worklight if it has a broken lens, casing or damaged cable.
5. **ALWAYS** unplug the worklight before moving it or performing maintenance. **DO NOT** touch the lamp when your hands are wet.
6. **DO NOT** attempt to disassemble or repair the worklight.
7. **DO NOT** leave the worklight unattended when switched on. **ALWAYS** unplug the worklight when it is not in use.
8. **NEVER** unplug by holding the cable. Unplug by holding the plug.
9. **NEVER** use the worklight if the cable or plug are damaged.
10. When erecting the tripod, ensure that the ground is level and firm.
11. Take extra care not to push or knock the tripod over when fully extended.
12. Ensure the lamp is a safe distance from other objects in the working space.

## **GUARANTEE**

This product is guaranteed against faulty manufacture for a period of 12 months from the date of purchase. Please keep your receipt which will be required as proof of purchase.

This guarantee is invalid if the product is found to have been abused or tampered with in any way, or not used for the purpose for which it was intended.

Faulty goods should be returned to their place of purchase, no product can be returned to us without prior permission. This guarantee does not effect your statutory rights.

## **ENVIRONMENTAL RECYCLING POLICY**



Through purchase of this product, the customer is taking on the obligation to deal with WEEE in accordance with the WEEE regulations in relation to the treatment, recycling, recovery & environmentally sound disposal of the WEEE.

This means that this product must not be disposed of with general household waste. It must be disposed of according to the laws governing Waste Electrical and Electronic Equipment (WEEE) at a recognised disposal facility

# ELECTRICAL CONNECTIONS



**WARNING! READ THESE ELECTRICAL SAFETY INSTRUCTIONS THOROUGHLY BEFORE CONNECTING THE PRODUCT TO A POWER SUPPLY.**

This product can be connected to one of the following power supplies:

- 110V generator
- 110V isolating transformer
- 110V site supply
- 230V generator via a 110V transformer

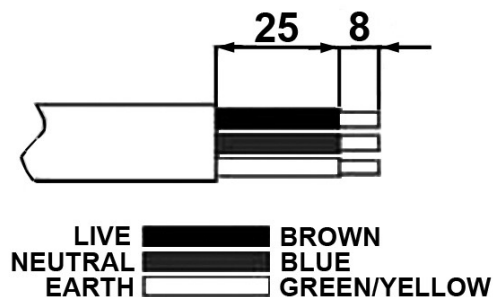
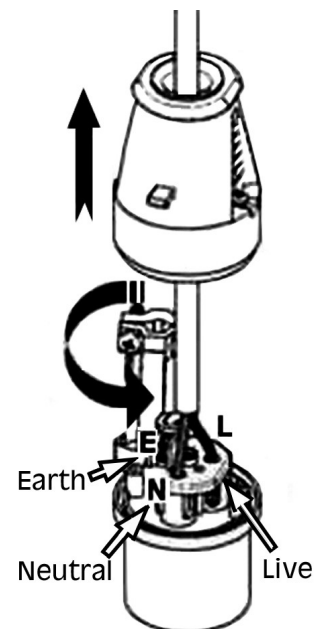
Connecting it to any other power source may cause damage.

This product includes a fitted industrial plug to BS-EN 60309 and cable for use with a 110 volt supply. On no account may a 230V/13amp (BS1363) plug be used.

If using a portable 110V transformer make sure it has a rated capacity sufficient to take the load of the worklight.

Should the plug need changing at any time, ensure that a plug of identical specification is used and proceed as follows:

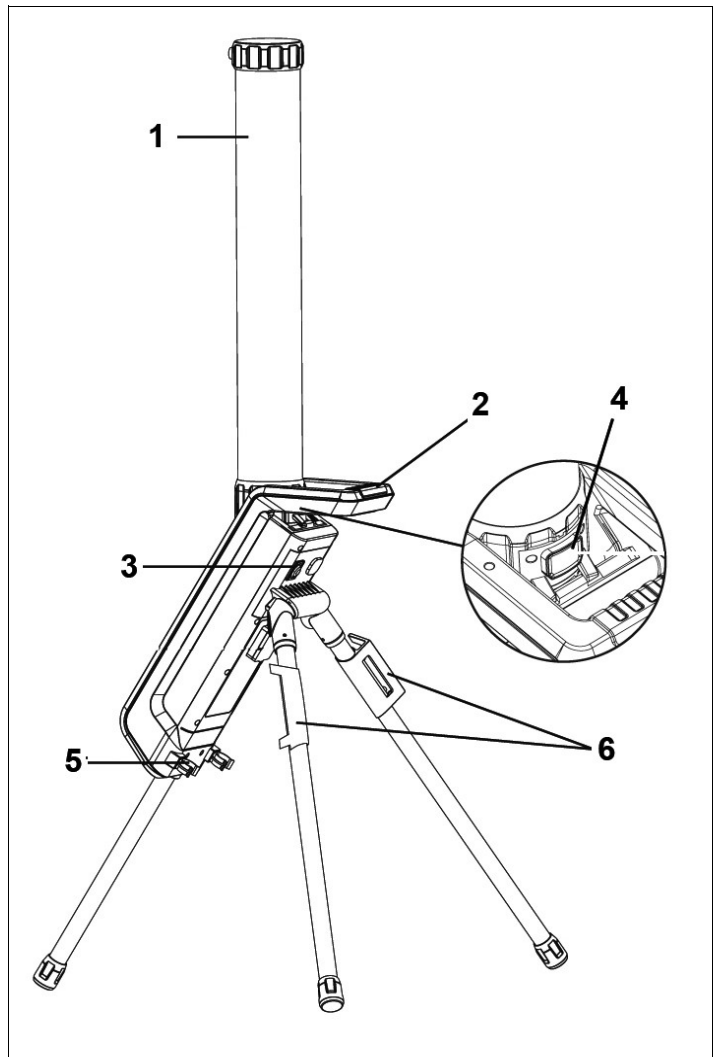
1. Undo the socket screws & remove the rear section.
2. Rotate the cable clamp clear of the terminals.
3. Feed the cable through the rear gland in the plug.
4. Remove the cable sheath to the required lengths as shown in the diagram.
5. Terminate the correct wires in the correct terminal blocks as shown.
6. Remove the cable clamp screws. Clip the cable clamp back into position and place the clamp around the outer sheath of the cable. Replace the screws and tighten until the cable is securely held.
7. Replace the rear cover and tighten the cover screws.



If in any doubt, consult a qualified electrician. **DO NOT** attempt any repairs yourself.

# COMPONENT PARTS

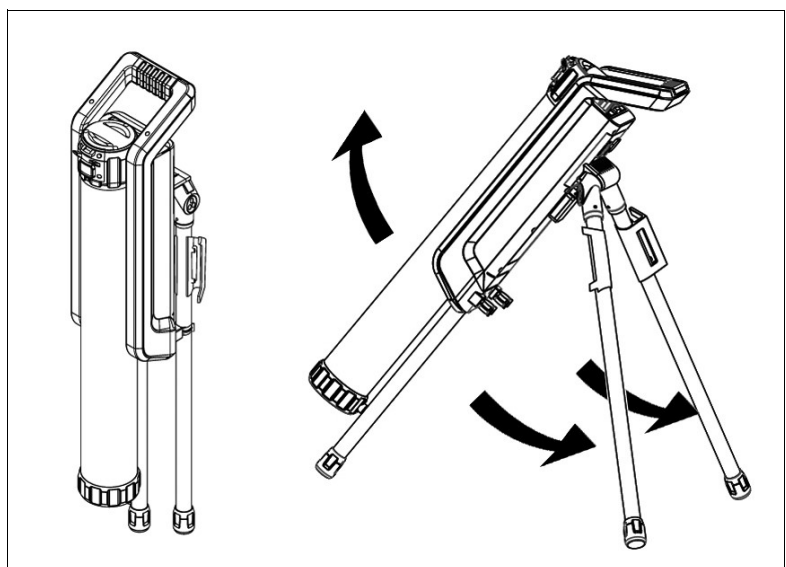
1	Light Tube
2	Handle
3	On/Off Switch
4	Light tube release button
5	Tripod leg holder
6	Cable winder



# ASSEMBLY & USE

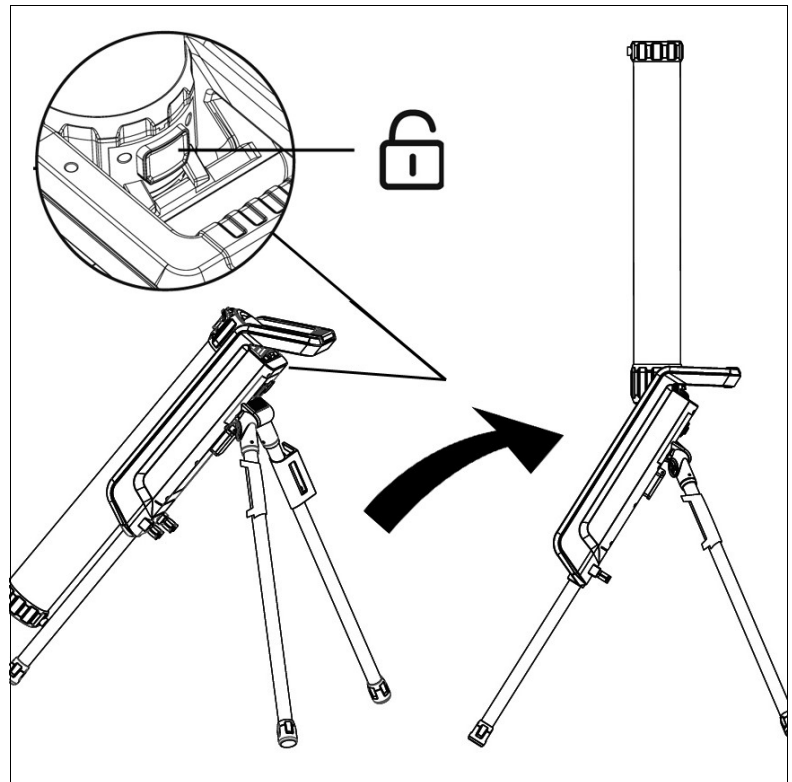
Expand the tripod legs to the maximum degree.

Flip the light tube over to the vertical position, taking care not to trap fingers.



The automatic locking secures the light tube in this position.

To fold down the light tube, press and hold the light tube release button.



---

## CARE & STORAGE

---

1. When not in use, switch off & unplug from the power supply. Coil the cable around the storage hooks provided on the tripod for tidy storage.
2. Store this product in a secure, dry place, out of the reach of children. **DO NOT** leave it exposed to the elements and avoid direct sunlight, direct heat, rain/moisture etc.
3. Keep the external surfaces clean. Avoid impact damage & do not allow this product to come into contact with abrasive or corrosive materials.
4. **DO NOT** use solvents, thinners or alcohol for cleaning, as these chemicals will damage the finish. With the lamp unplugged from the power supply, use a dry cloth to wipe over the lamp components.
5. Only use extension leads that are of an appropriate power rating and suitable for the work environment. Inspect the extension lead regularly and replace if damaged.
6. The LED light source cannot be replaced but has a life expectancy of approximately 25000 hours.
7. **NEVER** use unauthorised accessories or attachments which can cause personal injury or damage to the product.
8. **DO NOT** attempt to repair or modify this product or attempt any electrical repair yourself. Consult the CLARKE Service Department on 020 8988 7400.

# DECLARATIONS OF CONFORMITY



Fitzwilliam Hall, Fitzwilliam Place, Dublin 2

## DECLARATION OF CONFORMITY

This is an important document and should be retained.

We hereby declare that this product(s) complies with the following legislation:

2014/30/EU Electromagnetic Compatibility Directive  
2014/35/EU Low Voltage Directive  
2011/65/EU Restriction of Hazardous Substances (RoHS) Directive

The following standards have been applied to the product(s):

EN 61000-3-3:2013+A1:2019+A2:2021, EN IEC 61000-3-2:2019+A1:2021, EN 62493:2015+A1:2022,  
IEC 62321-4:2013+AMD1:2017 CSV, IEC 62321-7-1:2015, IEC 62321-7-2:2017, IEC 62321-2:2021,  
EN IEC 55015:2019+A11:2020, EN IEC 60598-2-4:2018, IEC 62321-3-1:2013, EN IEC 61547:2023,  
EN IEC 60598-1:2021+A11:2022, IEC 62321-5:2013, IEC 62321-6:2015, IEC 62321-8:2017

The technical documentation required to demonstrate that the product(s) meet(s) the requirement(s) of the aforementioned legislation has been compiled and is available for inspection by the relevant enforcement authorities.

The CE mark was first applied in: 2025

Product Description: Work Light  
Model Number(s): SMD5000/1  
Serial/Batch Number: Refer to product/packaging label  
Date of Issue: 21/02/2025

Signed:

J.A. Clarke  
Director

SMD5000-1 CE Clarke DOC 022125

Page 1 of 1



Hemmill Street, Epping, Essex, CM16 4LG

## DECLARATION OF CONFORMITY

This is an important document and should be retained.

We hereby declare that this product(s) complies with the following legislation:

2014/30/EU Electromagnetic Compatibility Directive  
2014/35/EU Low Voltage Directive  
2011/65/EU Restriction of Hazardous Substances (RoHS) Directive

The following standards have been applied to the product(s):

EN 61000-3-3:2013+A1:2019+A2:2021, EN IEC 61000-3-2:2019+A1:2021, EN 62493:2015+A1:2022,  
IEC 62321-4:2013+AMD1:2017 CSV, IEC 62321-7-1:2015, IEC 62321-7-2:2017, IEC 62321-2:2021,  
EN IEC 55015:2019+A11:2020, EN IEC 60598-2-4:2018, IEC 62321-3-1:2013, EN IEC 61547:2023,  
EN IEC 60598-1:2021+A11:2022, IEC 62321-5:2013, IEC 62321-6:2015, IEC 62321-8:2017

The technical documentation required to demonstrate that the product(s) meet(s) the requirement(s) of the aforementioned legislation has been compiled and is available for inspection by the relevant enforcement authorities.

The UKCA mark was first applied in: 2025

Product Description: Work Light  
Model Number(s): SMD5000/1  
Serial/Batch Number: Refer to product/packaging label  
Date of Issue: 21/02/2025

Signed:

J.A. Clarke  
Director

SMD5000-1 UKCA Clarke DOC 022125

Page 1 of 1

# A SELECTION FROM THE VAST RANGE OF

# Clarke®

## QUALITY PRODUCTS



**AIR COMPRESSORS**  
From DIY to industrial, Plus air tools, spray guns and accessories.

**GENERATORS**  
Prime duty or emergency standby for business, home and leisure.

**POWER WASHERS**  
Hot and cold, electric and engine driven - we have what you need

**WELDERS**  
Mig, Arc, Tig and Spot. From DIY to auto/industrial.

**METALWORKING**  
Drills, grinders and saws for DIY and professional use.

**WOODWORKING**  
Saws, sanders, lathes, mortisers and dust extraction.

**HYDRAULICS**  
Cranes, body repair kits, transmission jacks for all types of workshop use.

**WATER PUMPS**  
Submersible, electric and engine driven for DIY, agriculture and industry.

**POWERTOOLS**  
Angle grinders, cordless drill sets, saws and sanders.

**STARTERS/CHARGERS**  
All sizes for car and commercial use.



## PARTS & SERVICE: 0208 988 7400

**Parts Enquiries**  
[Parts@clarkeinternational.com](mailto:Parts@clarkeinternational.com)

**Servicing & Technical Enquiries**  
[Service@clarkeinternational.com](mailto:Service@clarkeinternational.com)

SALES: UK 01992 565333 or Export 00 44 (0)1992 565335

**Clarke** INTERNATIONAL Hemnall Street, Epping, Essex CM16 4LG  
[www.clarkeinternational.com](http://www.clarkeinternational.com)